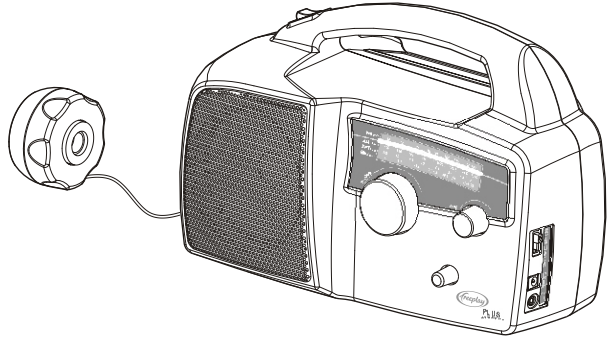




Energy for life

AM/FM/SW Radio  
with  
LED Flashlight



FREEPLAY PLUS

## Operating Instructions

For more information please contact:

**USA**  
C. Crane & Company  
1001 Main Street  
Fortuna  
CA 95540-2008

Tel: +1-800-522-8863

Or visit our Web Site  
[www.freeplayenergy.com](http://www.freeplayenergy.com)

English

Congratulations on purchasing the Freeplay Plus Self-Powered Radio.

Please read these operating instructions carefully before using your radio, and retain them for easy reference.

Record the following numbers, to be quoted when dealing with Freeplay regarding this product:

Product Code: FPR2S4-PLUS

Serial number: \_\_\_\_\_

### Storing Energy

The Freeplay Radio is equipped with three different energy supply facilities, a carbon steel spring, a solar pane and a NiMH rechargeable battery.

electricity when exposed to sunlight. In direct sunlight the radio will run off the panel - if the solar contribution is sufficient it will also recharge the battery.

The **Carbon Steel Spring** stores energy created by winding the handle. The energy is released on demand and converted to electricity, which in turn powers the radio.

The NiMH rechargeable battery offers the convenience of charging your Freeplay radio either by an AC/DC (6V 100mA) adapter (available from your Freeplay retailer) or by leaving the set in the OFF position in the sun. The battery can also be charged by successive spring discharges.

A **Solar Panel** fitted in the rear casing of the radio, generates

### Important

Protect the set from humidity. Do not immerse or splash water on the unit. When cleaning do not use abrasives or chemicals, only use a damp cloth and mild cleaning detergents.

## FREEPLAY 1 - YEAR WARRANTY

The manufacturer undertakes that, if within 1 years of purchase, this appliance or any part thereof is proved to be defective by reason only of faulty workmanship or materials, we will, at our option repair or replace the same free of charge for labor or materials on condition that:

1. The complete unit is returned to us, postage paid.
2. The appliance has not been serviced, maintained, repaired, taken apart or tampered with by any person not authorized by the Manufacturer.
3. All service work is undertaken by the Manufacturer or appointed agents.
4. Any defective appliance or part shall become the property of the Manufacturer.
5. This warranty is in addition to your statutory rights.

This warranty excludes damage caused by misuse or neglect.

English

### Operation

The Freeplay radio may be operated directly by spring generated electricity or by using its' solar panel.

#### Charging the spring

Hold the radio firmly whilst cranking the handle clockwise. Approximately 60 turns fully energizes the spring. As the spring unwinds it dumps electricity into a rechargeable battery. The battery can be further charged by successive spring discharges.

#### Solar power

When placed in direct sunlight the radio will run exclusively from solar power. If solar contribution is sufficient the battery will be charged while playing. The solar panel can also be used solely as a charging facility while the radio is not in use by exposing the solar panel to sunlight.

#### AC/DC adapter

The Freeplay radio may also be powered by an AC/DC (6V 100mA) adapter by inserting the adapter jack into the "DC IN" socket on the side of the radio. The battery is also charged on a constant trickle charge using the adapter (12 - 14 hours are recommended to give the radio a full charge).

### Specifications

#### Power source

Internal B-Motor textured carbon spring, driving a DC generator through a transmission. Solar High performance solar panel. External Optional DC adapter (center pin positive) 6V 100mA (minimum).

#### Frequency range

FM	88 - 108 MHz
AM	500 - 1700 kHz
SW	13 - 10 MHz
SW2	10 - 18 MHz

#### Speaker

Size	4 inch silver dome
Impedance	8 ohms

#### Antenna system

FM/SW	Telescopic antenna
AM	Built in ferrite bar antenna

#### Dimensions

	Metric	US
Height	200mm	8"
Width	200mm	8"
Length	310mm	12"
Weight	2.4kg	5.1lbs. 5oz

### Listening Tips

**AM Listening:** While listening to AM the telescopic antenna should be down. After tuning in the station you may have to rotate the radio for the best reception.

**FM Listening:** For best FM reception extend the telescopic antenna and direct it for maximum signal strength.

**SW Listening:** Generally speaking, frequencies from Asia are received best during the morning. Europe is received best during the evening. The middle of the day is not a very good time to attempt listening to shortwave, but there are some broadcasts if you're determined. For best reception, fully extend the telescopic antenna and fine tune the reception with the fine tuning knob located on the front of the radio. To improve shortwave reception, it is recommended to use an external shortwave antenna. Please contact the merchant you purchased this radio from to ask about acquiring a shortwave antenna.

### Controls

1. Dial Scale Frequency Indicator
2. Volume and On/Off Control
3. Band Selector
4. DC Input

Only use approved adapter with 6V DC/100mA (min) output and center positive pin. (**Note: Remember to unplug the adapter before operating the radio in winding mode.**)

5. Headphone socket
6. Short wave fine tuning control
7. Tuning Control
8. LED flash light

This flash light contains three white LED's. These LED's are part of the new generation of bright light emitting diodes, which are virtually unbreakable and should last a very long time.

#### 9. LED Flashlight Cord

When operating the flashlight the cord (9;10) must be plugged into the socket (11) which is situated in the flashlight housing (12). The cord will extend up to 6'. Grip the back of the flashlight by using the finger recesses and just pull on the cord unreeling it to the desired length. To wind the cord back into the flashlight grip the back of the flashlight in one hand and proceed by twisting / rotating the front the flashlight

#### 10.Plug

#### 11.Socket

#### 12.LED Flashlight Housing

#### 13. Winding Handle

Lift up the radio. Take hold of the winding handle and wind up the radio. (Full wind is approximately 60 turns.) In the "OFF" position the spring will continue to unwind slowly. During play, the cranking handle will unwind at varying speeds.

#### 14. Solar Panel

#### 15. Antenna

Extend the antenna to maximum length by pulling it upward. Once fully extended the antenna can be bent and rotated for optimum reception. For AM stations, the Radio is equipped with an internal ferrite bar antenna. Therefore, the telescopic antenna is not required for AM listening.

#### 16. Flashlight ON/OFF switch

#### 17. Magnet

A magnet is situated at the back of the flashlight. The purpose of the magnet is to retain the flashlight within its housing as well as to allow the user to place the flashlight on any metal surface.

### Troubleshooting Guide

**Q:** When I wind up the radio, it makes a noise. Is this normal?

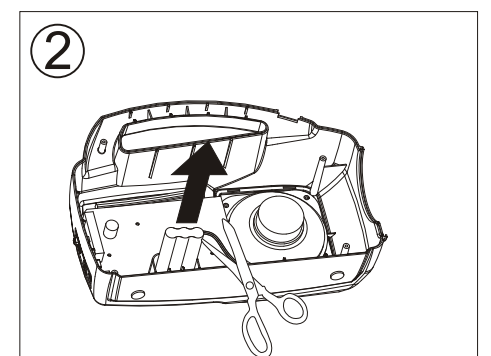
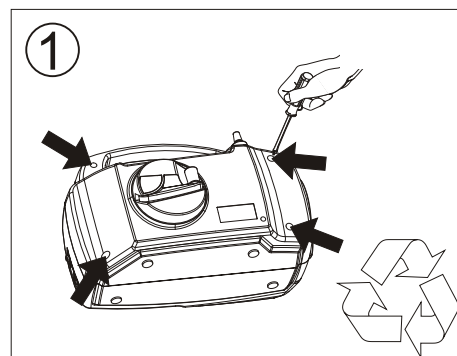
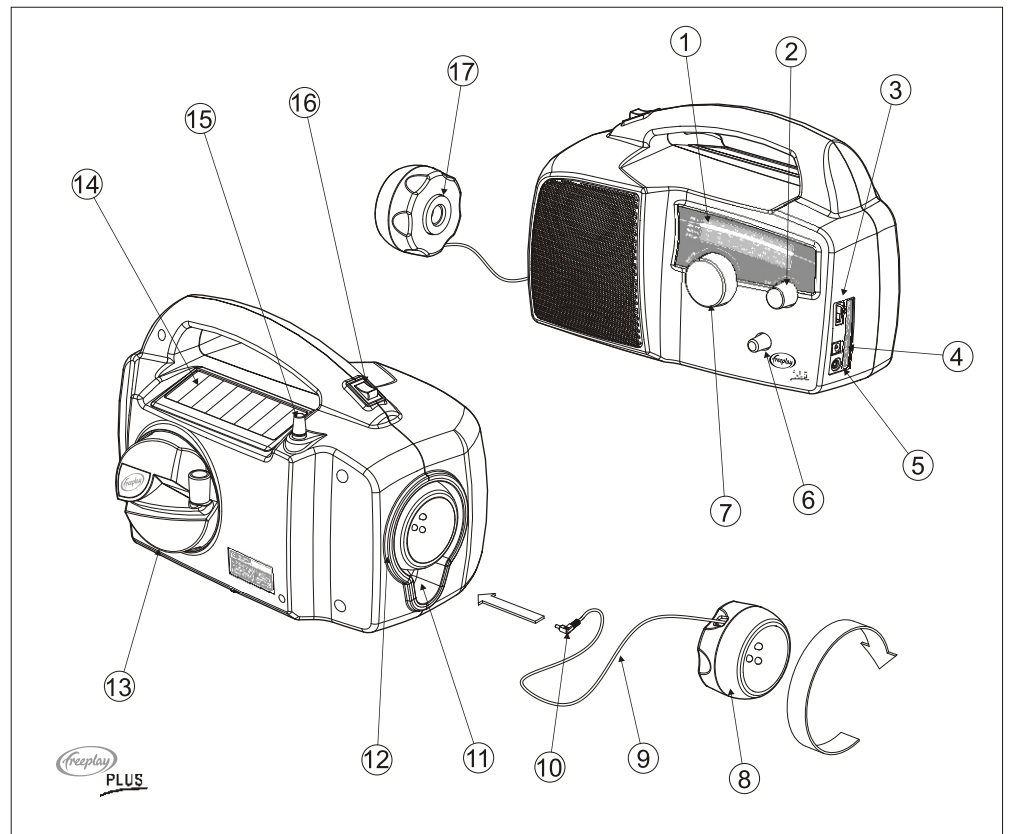
**A:** Yes. The generator does make some noise in the process of winding and unwinding. Sometimes it is a clicking or a hum. The noise shouldn't interfere with the performance of the radio.

**Q:** How bright should my light be?

**A:** The light is about as bright as one candle. It will help you get around a room without bumping into things

**Q:** How many times can I wind up the radio?

**A:** The radio is equipped to last 10,000 full windings.



### DISPOSING OF THE RADIO

The Freeplay Self Powered Radio contains a Nickel Metal Hydride (NiMH) battery which must be removed and recycled or disposed of in an environmentally friendly way as prescribed by your local regulations.

ENSURE THAT THE SPRING IS FULLY DISCHARGED BEFORE ATTEMPTING TO OPEN THE RADIO CASE.