

# C.CRANE

## Solar Battery Charger

### Instruction Manual



**PLEASE READ ALL THE INSTRUCTIONS COMPLETELY BEFORE USE  
AND SAVE THIS MANUAL FOR FUTURE REFERENCE.**

# Quick Start Guide

1. Open the plastic cover.
2. Place two batteries of same type, size and brand into the Solar Battery Charger according to the labeled compartments. The compartment next to the meter is used in Europe for "GUM" sized batteries (see Fig. 1).

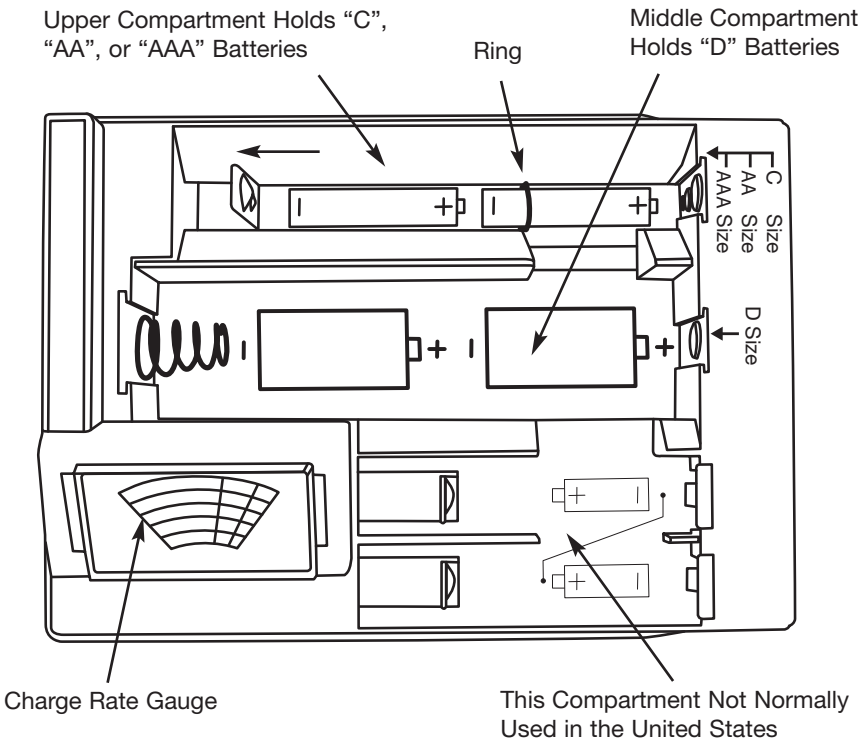
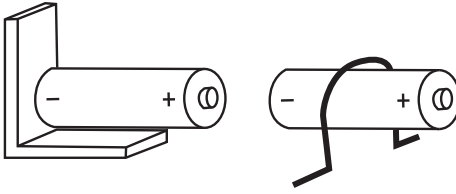


Fig. 1 Top View, Cover Open

**Note:** To prevent "AAA" or "AA" batteries from slipping out of their compartment, lift the small ring ("AAA"), or the large ring ("AA"), and slide one battery under the ring. Then pull the vertical metal connector to the left to insert the second battery (see Fig. 2).

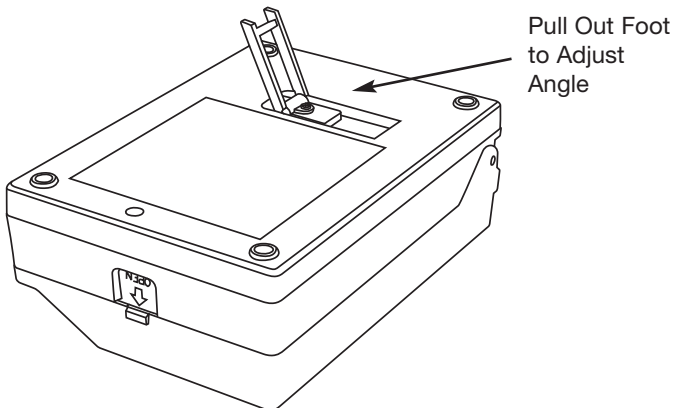
## Quick Start Guide

---



*Fig. 2 Battery Retaining Ring*

3. Close the plastic cover.
4. Place the Solar Battery Charger in direct sunlight. The needle on the Solar Battery Charger should immediately jump up to indicate that the charging process has begun. If the needle does not move from its starting position, open the cover and check to make sure the batteries have been installed correctly in their correct compartment (see Fig. 1)
5. The angle of the Solar Battery Charger can be adjusted by pulling out the foot on the bottom of the charger. The solar panel mounted in the plastic cover should be pointing directly toward the sun for maximum charge rate (see Fig. 3).



*Fig. 3 Bottom View of Solar Battery Charger*

# C.CRANE

1001 Main Street  
Fortuna, California 95540-2008  
800-522-8863 • *ccrane.com*